

AIR CHIEF

CAR RADIO DIVISION, ELECTRONIC INDUSTRIES LTD.

ASTOR HOUSE: 161-173 STURT STREET, SOUTH MELBOURNE Phone: 69 0300

HOLDEN - 13

File: HOLDEN

Date: 7.11.1967

Page: 1

SERVICE DATA

HOLDEN MODEL "HK"

INSTALLATION INSTRUCTIONS FOR FITTING

AIR CHIEF 12 VOLT CAR RADIO

PUSH BUTTON MODEL PN-C12P

MANUAL MODEL MN-C12P

and

MANUAL MODEL MN-C14P

MODEL PN-C12P RADIO PACKAGE PART NO:7435299

MODEL MN-C12P RADIO PACKAGE PART NO:7435300

MODEL MN-C14P RADIO PACKAGE PART NO:7438776

LEFT HAND DRIVE CONVERSION PACKAGE PART NO:7434045

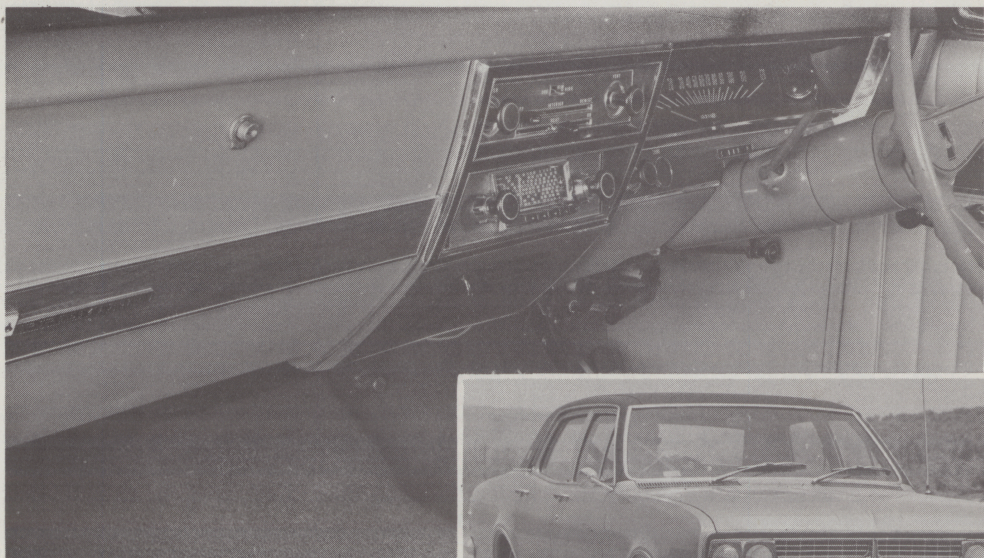
REAR SEAT SPEAKER AND FADER

CONTROL PACKAGE

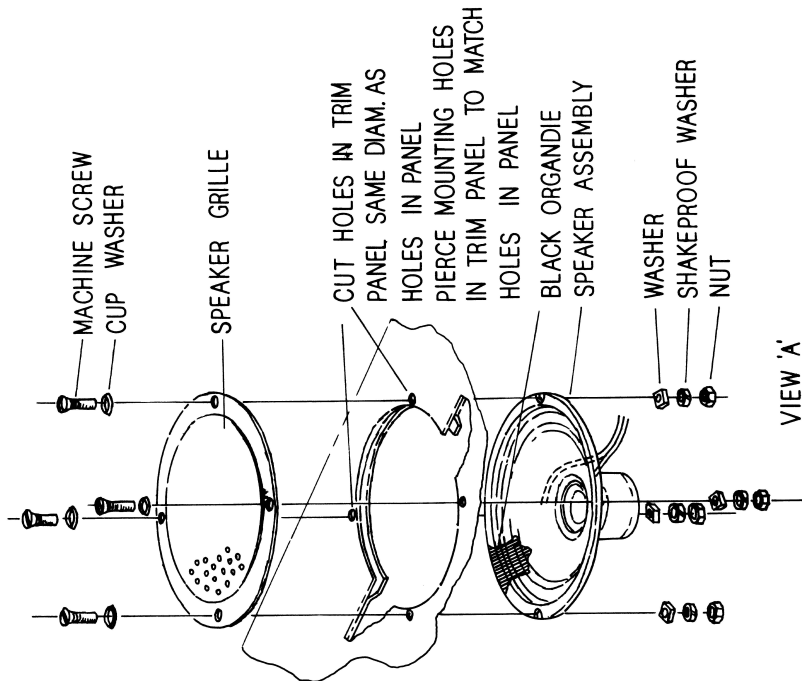
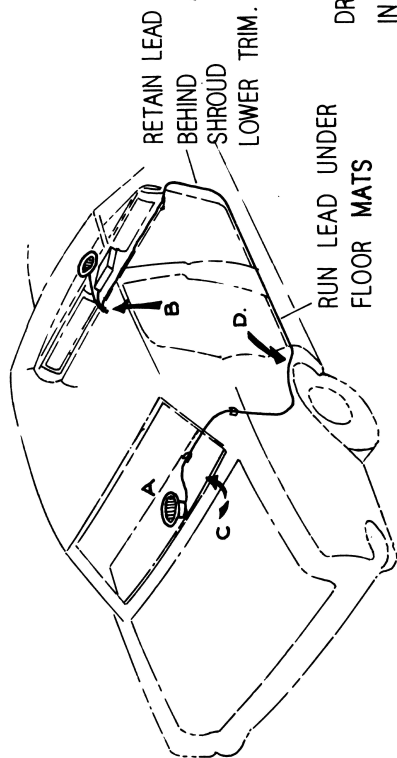
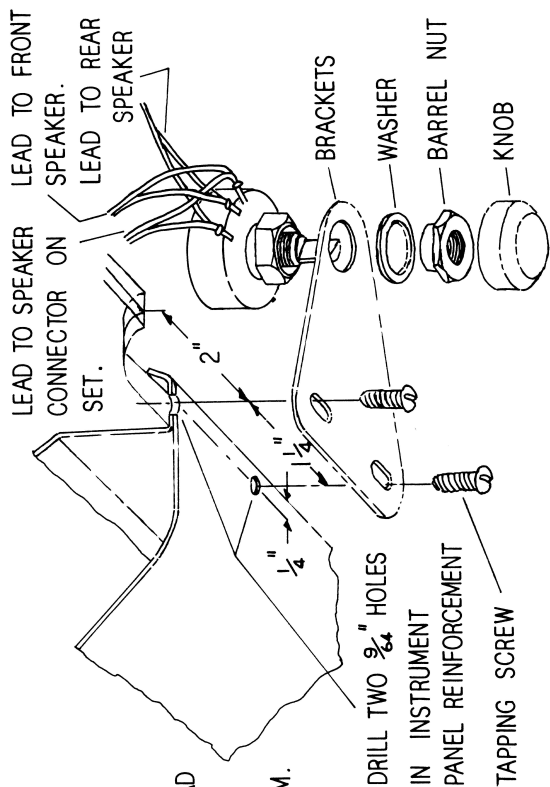
PART NO:7426963

WARNING: Battery lead of these receivers must be connected only to the positive terminal of a battery. Connection to incorrect polarity will damage the receiver.

Disconnect leads from car battery before commencing installation

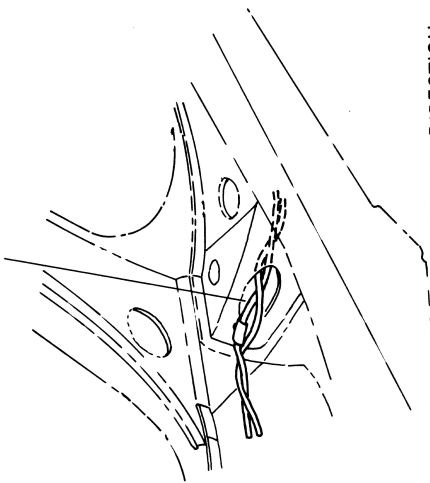


7135-274-44



LOOP LEAD AROUND BODY WIRING HARNESS ON R.D. MODELS TAPE LEADS IN THIS AREA FOR PROTECTION ON L.D. MODELS

LOCATE CLIP EQUIDISTANT BETWEEN EDGE OF PANEL AND SPEAKER



VIEW IN DIRECTION OF ARROW 'D'.

VIEW IN DIRECTION OF ARROW 'C'

REAR SEAT SPEAKER INSTALLATION R.D. SHOWN. L.D. OPPOSITE

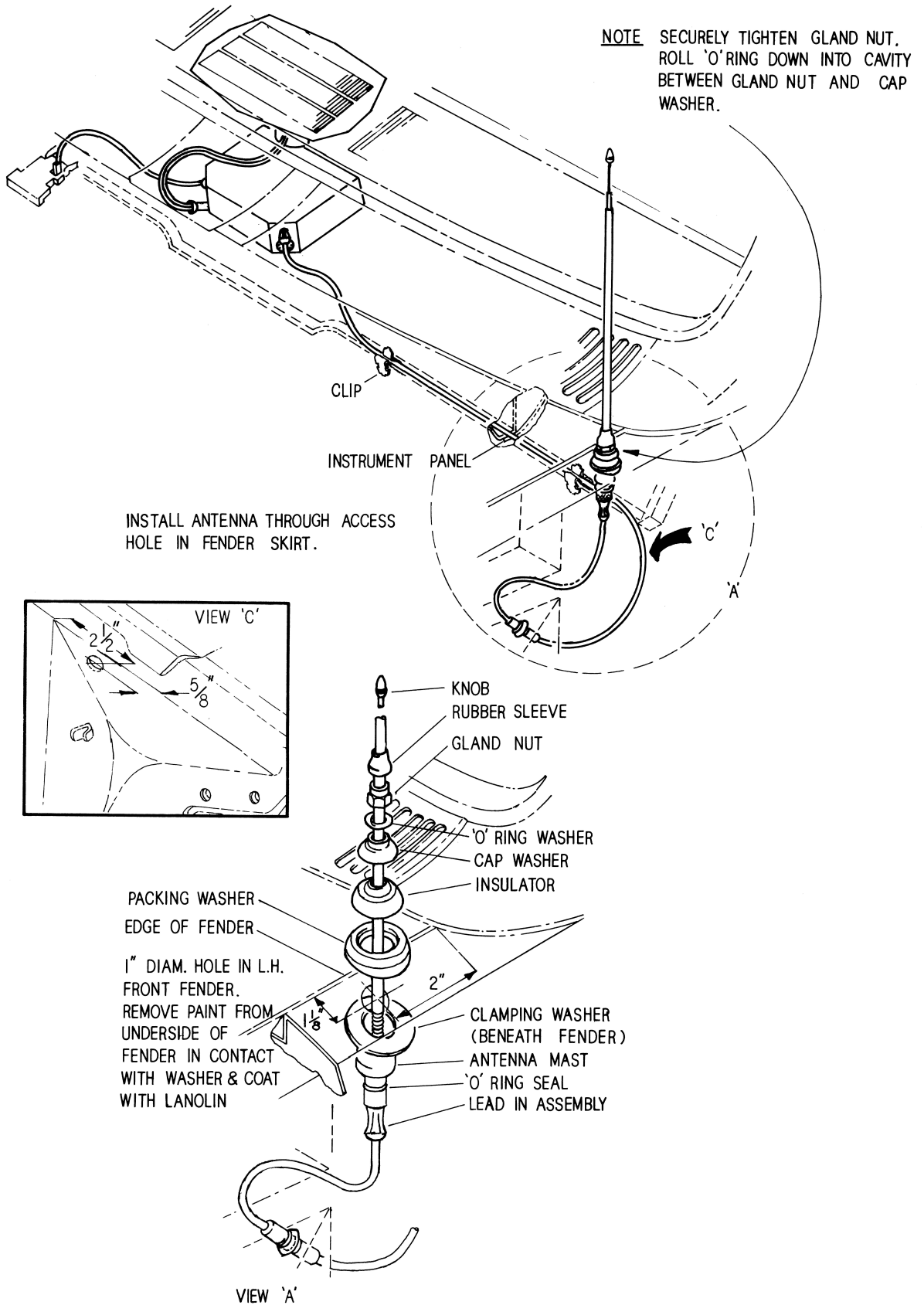


FIG. 1.

INSTALLATION SEQUENCE

1. FIG.1. views A,B. & C.

Fit lead-in cable to aerial then assemble aerial to front fender and route lead-in cable as shown.

2. FIG.2

Remove and retain the two painted screws on top of instrument panel near grille. Discard speed-nuts and cardboard grille cover.

Remove heater controls then install speaker. Fasten securely with the original painted screws.

Refit heater controls.

3. FIG.2

Remove 'knock-out' cover panel from centre of instrument panel. NOTE: PREMIER MODEL:-Remove 'snap-in' cover plate then 'knock-out' panel.

Remove ashtray and carrier from panel.

Install radio behind panel as shown. Refit ashtray and carrier.

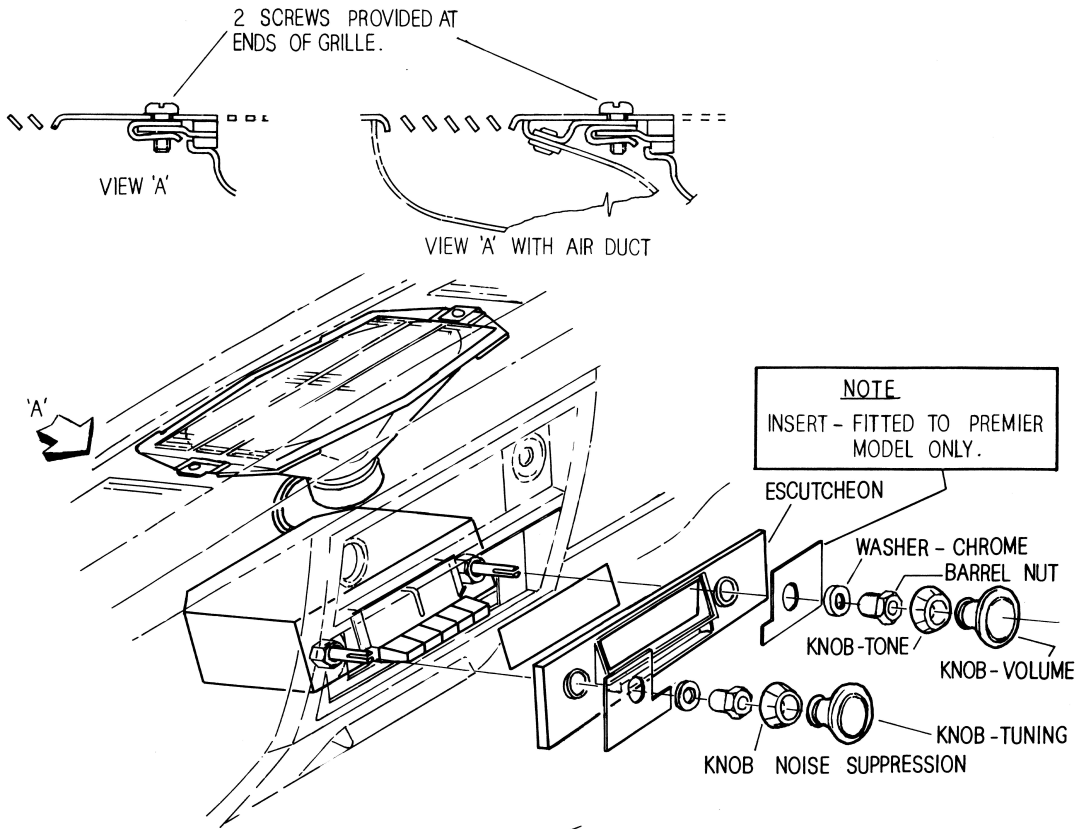
4. FIG.3

Assemble fuse block components.

Install interference suppression capacitors.

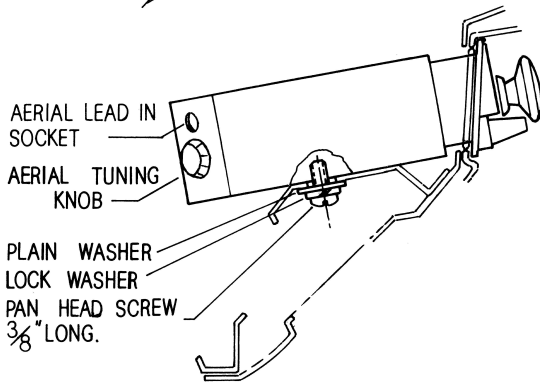
5. Raise aerial to half extended height. If a lock-down retractable aerial is fitted raise large diameter outer tube until it is against stop in aerial base.

Tune receiver to a weak station near 1000Kc/s (approx. centre of dial). Adjust aerial tuning control knob on side of receiver for maximum volume.



PUSH BUTTON RECEIVER SHOWN.
MANUAL RECEIVER SIMILAR.

FIG. 2.



ASSEMBLE FUSE CLIPS INTO BLOCK POSITIONS N° 16 & 17.
INSERT FUSE INTO CLIPS

TERMINAL BRIDGE CONNECTED TO
TERMINALS MARKED 17 & 18.

CONNECT YELLOW LEAD
FROM RADIO TO TERMINAL
MARKED 16.

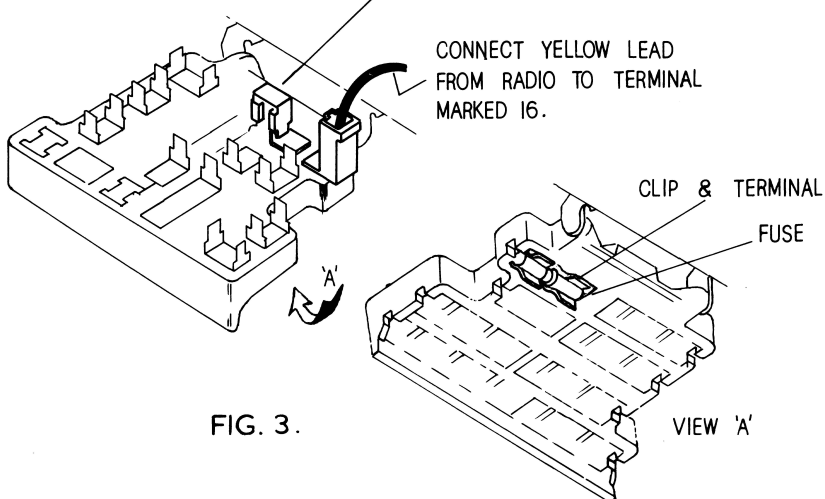
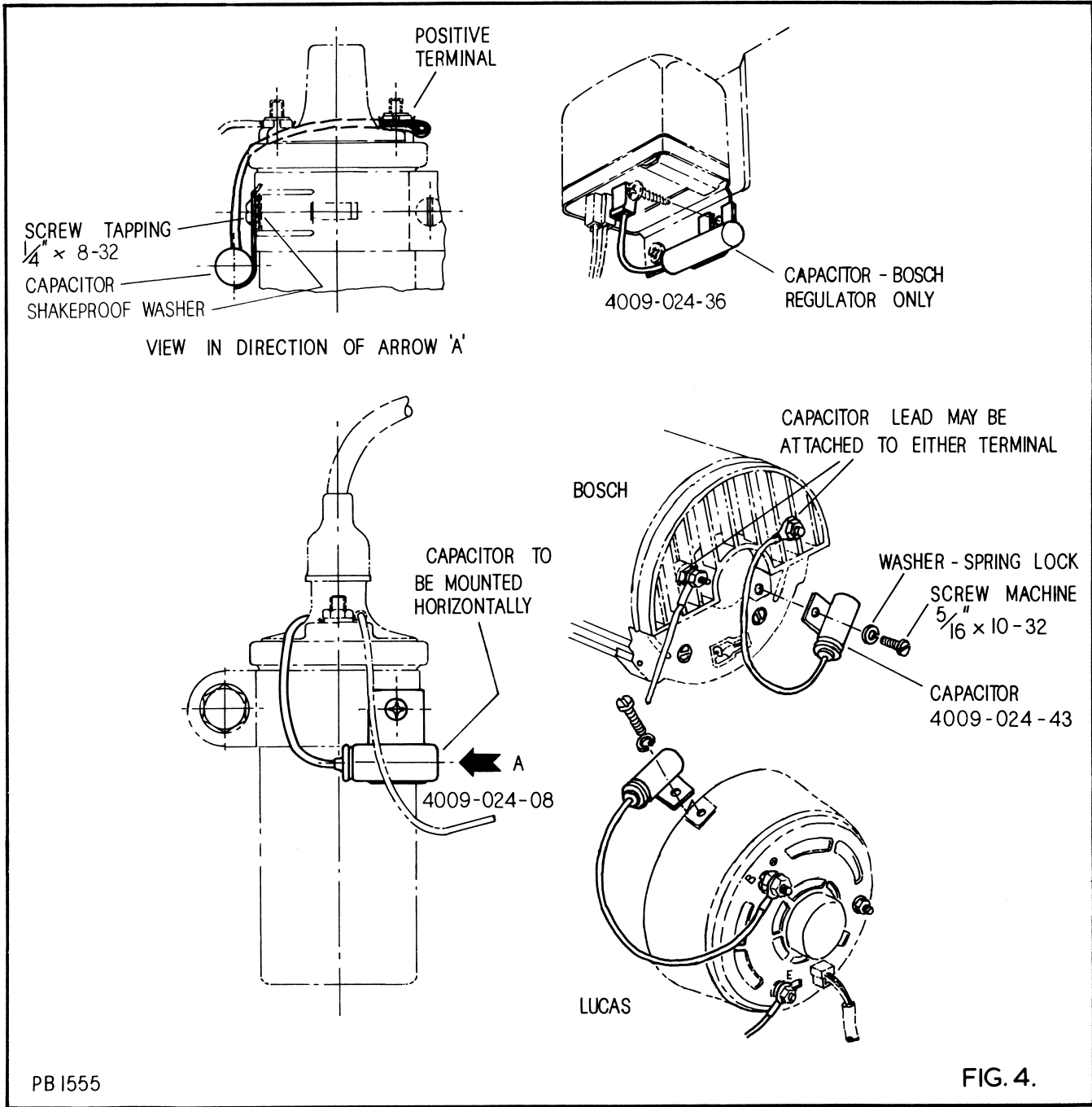


FIG. 3.



REAR SEAT SPEAKER AND FADER CONTROL COMPONENTS

4056-003-08	Speaker - 6" dia. permag.	7104-008-14	Grille
7265-004-02	Cup Washer (4)	7198-127-45	Screw (4) 1 1/2" x 5/32" Whit. csk.hd.
7261-180-02	Flat Washer (4)	7262-010-01	Washer (4) Shakeproof, 5/32" int.
7148-303-11	Nut (4) 5/32" Whit.	7055-365-01	Clip (2) Connecting Lead
4028-002-01	Fader Control - 100 ohm	7027-155-02	Bracket - Fader Control
7150-901-02	Spacer Nut - Fader Control	7261-484-02	Washer - Fader Control
7124-140-04	Knob - Fader Control	7201-079-08	Screw (2) 3/8" x No.8 self-tapping
7150-854-06	Barrel Nut - Fader Control	7171-015-01	Plug - Connecting Lead
7244-034-01	Terminal (4) speaker connections	1171-023-66	Connecting Lead - 24 ft.total.
7261-484-02	Washer (1) chrome		

HOLDEN MODEL "HK" PN-C12P, MN-C12P, MN-C14P, FITTING

INSTALLATION COMPONENTS

4074-044-01 Aerial (1) 5 section, telescopic whip, top mount type, less lead-in cable. G.M.H. No.7419906
4077-093-67 Aerial Lead-in Cable (1) 48" overall R.H.D. vehicle G.M.H. No.M35270.
4077-093-68 Aerial Lead-in Cable (1) 60" overall L.H.D. vehicle. G.M.H. No.
4077-067-51 Aerial and Integral 48" Lead-in Cable Assy (1) top mount type, G.M.H. No.7436108.
7055-365-01 Clip (2) cable. G.M.H. No.7410651

PREMIER MODEL ONLY

7001-100-01	Wood Grain Insert Package contains:
7322-010-11	passenger side insert
7322-010-01	driving side insert.

SPEAKER AND MOUNTING ACCESSORIES

7269-076-01 Speaker Assembly (1) G.M.H. No.7438278 includes:
4056-004-18 Speaker (1) 9"x6" oval, permag type C96L36/69/15
7027-663-02 Bracket (2)
7152-760-01 Speednut (2) 3/16" Whit. captive
7102-002-23 Gasket (2)
7102-002-28 Gasket (2)
7148-303-11 Nut (4) 5/32" Whit.
7262-510-02 Washer (4) shakeproof, 5/32" ext.
7261-163-04 Washer (4) flat steel, 3/8" x 11/64"
4077-174-16 Lead Assy - 12"
7171-015-01 Plug (1) on end of lead

SEPARATE STATE DIAL READINGS ARE AVAILABLE

PART NO.7070-088-

-22	Styling
-23	N.S.W.
-24	VIC.
-25	QLD/N.G.
-26	STH.AUST.
-27	W.A./N.T.
	TAS.

RECEIVER MOUNTING ACCESSORIES

7201-579-28 Screw (1) 3/8" x No.8 bdr.hd. G.M.H. No.9414711
7261-164-02 Washer (1) flat steel, 9/16" x 11/64" G.M.H. No.SP1860
7266-010-02 Washer (1) spring G.M.H. No.121841
7124-453-01 Knob (2) tuning and volume, front G.M.H. No.7438274
7124-356-01 Knob (2) noise suppression and tone, rear.G.M.H. No.743273
7150-861-02 Barrel Nut (2) G.M.H. No.743275
7261-531-02 Washer (2) chrome G.M.H. No.743272
7084-287-52 Escutcheon - push button
7084-287-32 Escutcheon - manual, Deluxe Eleven,
7084-287-02 Escutcheon - manual, Standard Six
7070-088-21 Dial Reading - Australian Stations
7070-088-28 Dial Reading - export numerical calibration

INTERFERENCE ELIMINATION AND BATTERY LEAD ACCESSORIES

4009-024-43 Capacitor (1) .5uF shielded by-pass, alternator.G.M.H.No.7437337
4009-024-08 Capacitor (1) .5uF shielded by-pass,ignition Coil.G.M.H.No.7428362
4009-024-36 Capacitor (1) .5uF shielded by-pass,regulator. G.M.H. No.7428361
7209-522-11 Screw (1) 1/4" x No.8 - 32 G.M.H. No.449809
7262-512-02 Washer (1) shakeproof, 3/16" ext. G.M.H. No.121752
7200-078-11 Screw (1) 5/16"x No.10 -32 G.M.H. No.SP1679
7266-012-22 Washer (1) spring, 3/16" G.M.H. No.120217
7244-050-01 Terminal Bridge (1) G.M.H. No.7426915
7055-473-01 Fuse Clip (2) G.M.H. No.7438279
7244-003-01 Terminal (1) on end of receiver lead
7291-003-01 Shroud (1) lead terminal
4071-010-02 Fuse (1) G.M.H. No.7438749

COMPONENTS SUPPLIED WITH RECEIVER

7005-064-01 Dial Background (11 Transistor)
7005-064-02 Dial Background (6 Transistor)
7201-576-12 Screw (4) 1/4"x No.4 Phillips hd., dial background and light filter
7150-901-03 Spacer Nut (2) 7/16" long
7173-056-03 Dial Pointer (1)
4068-003-04 Dial Lamp (3) 12 Volt, 1.4W BA7S base, T2 1/4 bulb.G.M.H. No.SP1477
7222-115-01 Lamp Socket Body (3)
7086-079-01 Contact eyelet (3) lamp sockets
7091-017-02 Light filter (2)
7169-677-01 Dust Shield (1) Top front of receiver.
7201-577-12 Screw (2) 1/4" x No.6 Phillips hd., dust shield.
7055-532-01 Clip (1) socket mount.
7209-106-10 Screw (1) 3/16"x No.2.